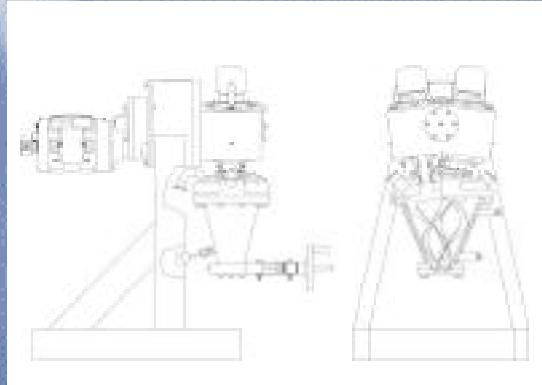


4CV HELICONE MIXER



100 E. Franklin St.
Warrenton, VA 20186
TF: 888.567.8213
P: 540.349.9425
F: 540.349.8092
dit@ditusa.com
www.ditusa.com

STANDARD SPECIFICATIONS

Capacity	Batch Range = 0.4 to 4 pt.	Maximum = 5 pt.
Drive	1 1/2 HP Constant Vector Drive Motor, 230/460 VAC, 3 PH, 60 Hz, TENV/TEBC.	
Blades	Twin opposing helical blades with 270 degree twist; constructed of 316 SST with 16g polish finish. Blade speed is 1 to 110 rpm.	
Bowl/Head	Bowl is double intersecting cone-type designed for 150 psig positive pressure or vacuum to 0.2mm Hg at a temperature of 450 ⁰ F. Vessel is equipped with baffled jacketing to permit uniform circulation of heating and cooling medium at a pressure of 100 psig. The interior of the mix chamber will be constructed of 316 SST with 16g polish finish throughout and built in accordance with ASME code. Head will be complete with two loading, two NPT, one vacuum, and one sight port.	
O-rings	Viton O-rings are normally used, however, a wide choice of materials is offered. Selection is dependent upon the application and compatibility with the product.	
Seals	Mechanical seals designed for specified pressure / temperature service.	
Discharge*	Handwheel actuated slide valve, 316 SST with a 2.12" x 1.35" opening.	
Thermocouple	A "J" type thermocouple is located in the cusp of the vessel wall for monitoring the mix temperature.	
Bowl Cart*	Manually operated hydraulic lift for raising and lowering the bowl. Casters allow for handling and mobility.	
Dimensions	32 5/16" Depth x 23" Width x 39 1/4" Height	
Weight	350 Lb.	

* Discharge, Bowl Cart - Optional.